

product specifications

physical characteristics

Length: 45.7 cm (18.0")

Height: 25.4 cm (10.0")

Width: 25.4 cm (10.0")

Weight: 17.7 Kg (39 lbs.)

standard features

203dpi high resolution printhead

Adjustable label gap sensor

Intermec printer language (IPL™)

Compatible with Intermec's 86xx Printer family

Self-stip with internal linear take-up

Clear side door panel

5" maximum outside diameter on internal rewind spindle

printing specifications

Element
0.12 mm (0.005")

Length
Maximum print length unlimited

Width
104 mm (4.1") maximum

"X" Dimension
0.25 to 1.27 mm (10 to 50 mil),
5 mil (drag mode only) (0.13 mm)

Speed
64 to 216 mm per/sec.
(2.5 to 8.5" per/sec.)

Resolution
8 dpmm (203 dpi)

label specifications

Roll
152 mm (6,000") linear

Roll Diameter
213 mm (8.38") max.

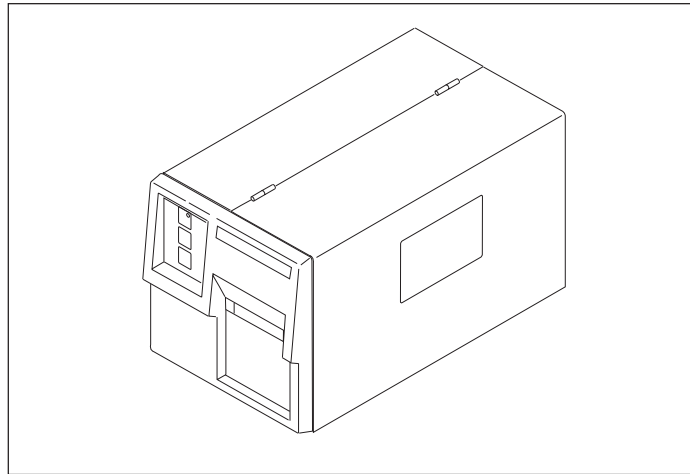
Width
19 to 118 mm (0.75 to 4.65")

Thickness
0.06 to 0.25 mm (0.0025 to 0.010")

Length
13mm (0.5") minimum

Core Size
38 to 76 mm (1.5 to 3")

Fanfold accepted from rear of the printer



ribbon specifications

Roll
305 m (12,000") linear

Widths
Communications must be greater than media widths

Rate
300 to 19200 bps

Asynchronous
RS-232-C, RS-422, RS-485

Flow Control
Xon/Xoff, CTS/DTR, Handshaking

fonts & graphics

9 resident bit-mapped fonts (includes OCR-A & OCR-B)

Supports user-defined fonts & graphics

Uses Bitstream® Fontware®

character sets

French; German; Italian; Norwegian-Danish; Spanish (7- and 8-bit ISO character sets included); Swedish-Finnish; UK ASCII; USA ASCII

Intermec Programming Language™

IPL is an advanced printer programming language that includes many features not available in other bar code printers

Advanced bar code algorithms handle all required encodation

Error detection protocols verify secure data transmission

Command errors and printer status are easily identified to your host

Communicates in printable ASCII or control characters

Independent character and field rotation

electrical characteristic

115 or 230 vac $\pm 10\%$, 50 to 60 hz

printer operating environment

Operating
4° to 32°C (40° to 90°F)

Storage
-40° to 70°C (-40° to 158°F)

Humidity
Non-condensing 10 to 90%

sympologies

Code 11; Code 39

2D symbols: Code 93; Code 128; Code 16K; Codabar; HIBC Code 3; Code 49; HIBC Code 128; Interleaved 2 of 5; UPC/EAN

regulatory agency approvals

CSA certified (C22.2 No. 950) 115V only; DOC SOR/88-475 Class A, 115V only; FCC Part 15, Class A, 115V only; FTZ VFG 243/1992, 230V only; TÜV Rheinland GS licensed (IEC 950 & EN 60950) 230V only; UL listed (1950) 115V only

options

256K memory expansion includes Maxicode, PDF417 & Code One two-dimensional symbols; 12 bitmap and one scalable outline fonts

Cutter mechanism with tray



print!
capture!
connect!

4100

direct
thermal/
thermal
transfer
bar code
printer

north america

INTERMEC CORPORATION
6001 36TH AVENUE WEST
P.O. BOX 4280
EVERETT, WASHINGTON 98203-9280
1 800 347 2636 tel
1 206 355 9551 fax
HTTP://www.intermec.com internet
info@intermec.com e-mail
GOVERNMENT SYSTEMS GROUP:
1 206 356 1652 tel
1 206 356 1889 fax
LABEL PRODUCTS: 1 800 227 9947 tel

europa/middle east/africa

INTERMEC EUROPEAN HEADQUARTERS
P.O. BOX 40223
6504 AE NIJMEGEN
MICROWEG 20
6545 CM NIJMEGEN
THE NETHERLANDS
+31 24 3723 131 tel
+31 24 3781 847 fax
LABEL PRODUCTS:
+31 24 3723 100 tel
+31 24 3780 070 fax

asia-pacific/latin america

INTERMEC CORPORATION
6001 36TH AVENUE WEST
P.O. BOX 4280
EVERETT, WASHINGTON 98203-9280
1 206 348 2755 tel
1 206 348 3788 fax
LABEL PRODUCTS: 1 513 874 5882

world-wide fax

DOCUMENT RETRIEVAL SERVICE
1 800 755 5505 tel

The words Intermec, AccessPoint™, Collect™, CrossBar®, Interscan™, IPL™, IRL®, JANUS®, MEDALLION®, PrintSet™, TRAKKER®, TRAKKER® Antares™, and the Print!Capture!Connect! character icons are trademarks of Intermec Corporation. Specifications are subject to change without notice. © 3/97 Intermec Corporation A Western Atlas Company

Intermec